

DC Fan Motor

# W1D180 Axial Fan

180mm (7.1in)



## GENERAL SPECIFICATIONS

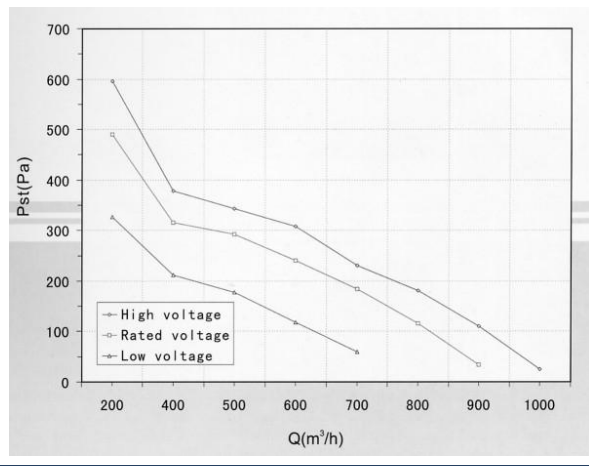
**Life:** 40,000 hours  
**Operating Temp:** -20°C~+60°C

## FEATURES

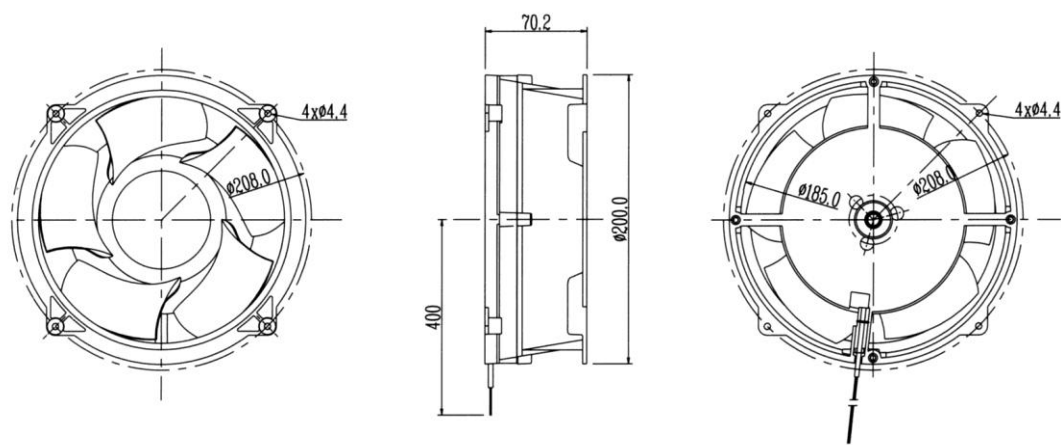
- High efficiency design
- Lubricated maintenance-free ball bearings
- Vibration-free operation
- Precision balanced for superior performance
- Compact and rugged construction

model	bearings (V)	voltage (V)	range (VDC)	power (W)	speed (RPM)	airflow (m <sup>3</sup> /h)	airflow (CFM)	max ambient temp (°C)	noise (dBA)
W1D180-AB	Ball	24	16 to 28	93	1520	911	536	60	68
W1D180-AA	Ball	48	36 to 57	100	1290	935	550	60	69

## Performance Curves



## Dimensions (mm)



## Applications

HVAC, cabinet cooling, medical equipment, military applications, air filtration, semiconductors, commercial and industrial cooling.



T 1.888.546.0524 • F 1.610.647.0319  
 email: sales@pelonistech.com • www.pelonistechnologies.com

